



Real Time Remote Control and Monitoring

Global Control is our nature

Shaul Rom

CEO

shaulr@RealiteQ.com

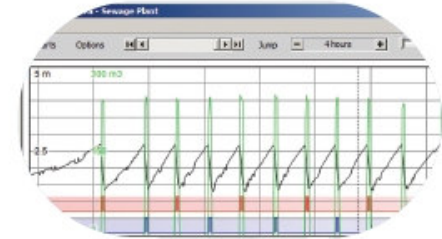




Real Time Remote Control and Monitoring

General Information

- **RealiteQ** platform was developed by Reali Technologies LTD. that also markets and operates it.
- Business model: ASP (Application Service Provider).
- Field of operation: Utilities (Water, Waste and Energy).





Real Time Remote Control and Monitoring

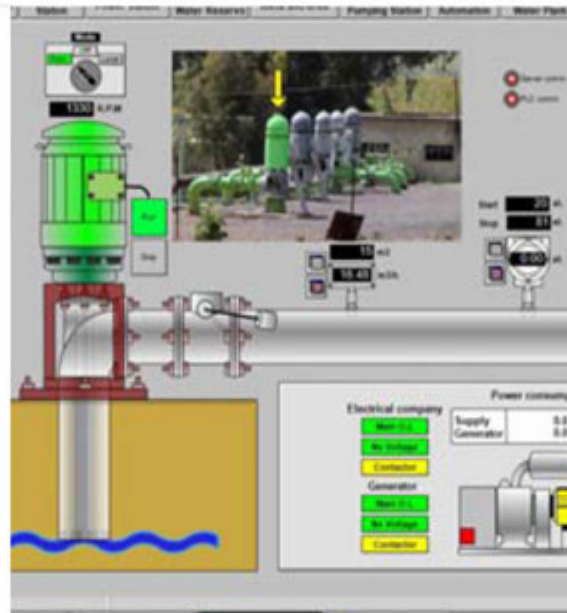
Technology Highlights

- **Global** IT platform for **Real Time** Remote Control, Monitoring and Data Management.
- **Streaming** Data System for Critical Operations.
- Secured connectivity over **All Public Infrastructures**.
- An open platform that enables various types and **3rd party interfacing**.
- Real Time Data, Continuous Historian, Alarm Handling, Visualization, **Analytics & Optimization**, Remote Operation.

Recycled water

Fresh water

Energy



Viewer::Check Light : AquaVerity - CCB - TOX

File View Report Utility Help

CheckLight Goto Web Portal CCB Test Unit Real Time Remote Control by RealiteQ

AquaVerity - CCB - TOX

Organic Test Reference

Last Test Date & Time	Result (%)
02. 12. 09 18 : 41	0 %

Last tests - Changes in luminescence level

Metal Test Reference

Last Test Date & Time	Result (%)
02. 12. 09 18 : 41	0 %

Last tests - Changes in luminescence level

Bacteria Vials

Active Vial: 1
Tests Left: 1432

Active Assay

Both

System Status

water contamination

Inlet Water

30 °C
? °C

Current Alarms

2009-12-02 22:09:47 - Alert 011 - Temperature Off Limits

No.	Path	Tagname	Description	Status	Started	Ended	Ack.	By
1	/test/alarms/alert011	Alert 011	Temperature Off Limits	New	2009-12-02 22:09:47			
2	/test/alarms/alert002	Alert 002	Toxicity Alert - Organic	New	2009-12-02 22:08:27			
3	/test/alarms/alert001	Alert 001	Toxicity Alert - Metallic	New	2009-12-02 22:08:18			

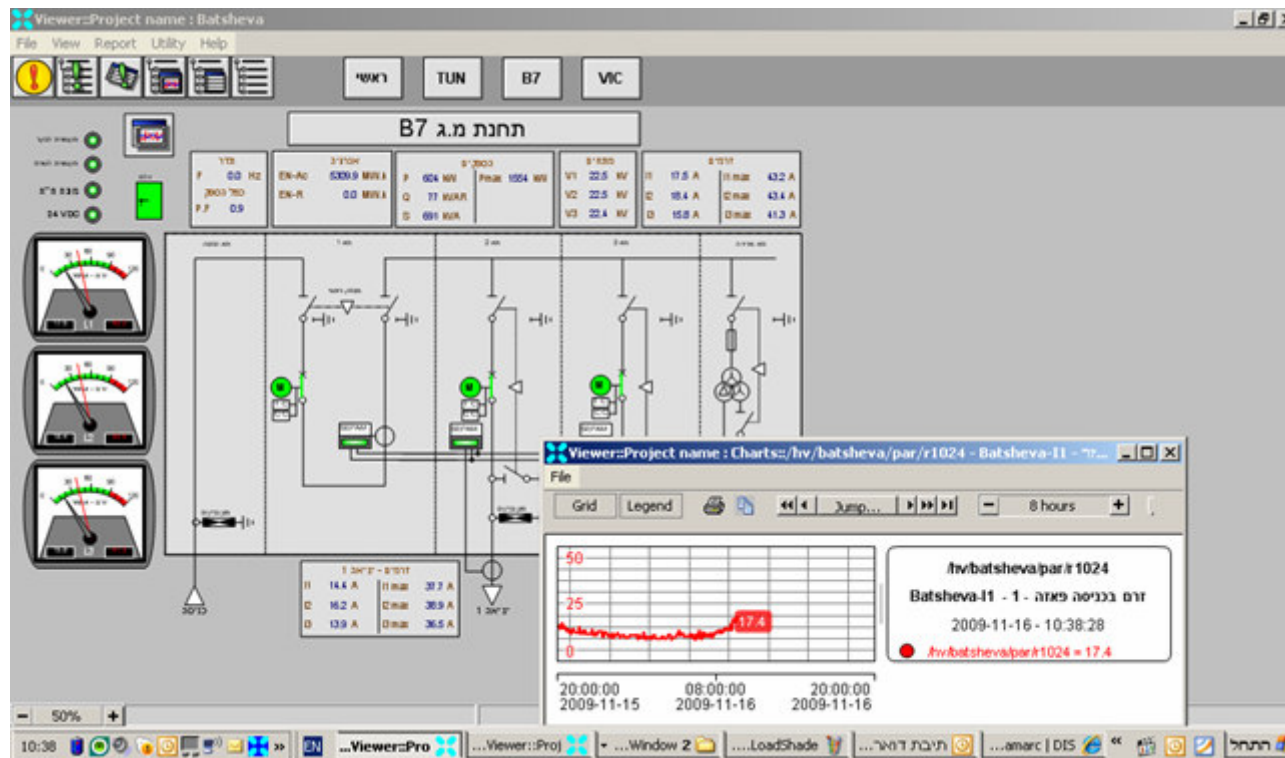
Total: 3 New: 3 Ack.: 0 Old: 0



Real Time Remote Control and Monitoring

"Immediately after we installed RealiteQ components in our distributed system we realized that it is the best solution for Real Time Control over the Internet"

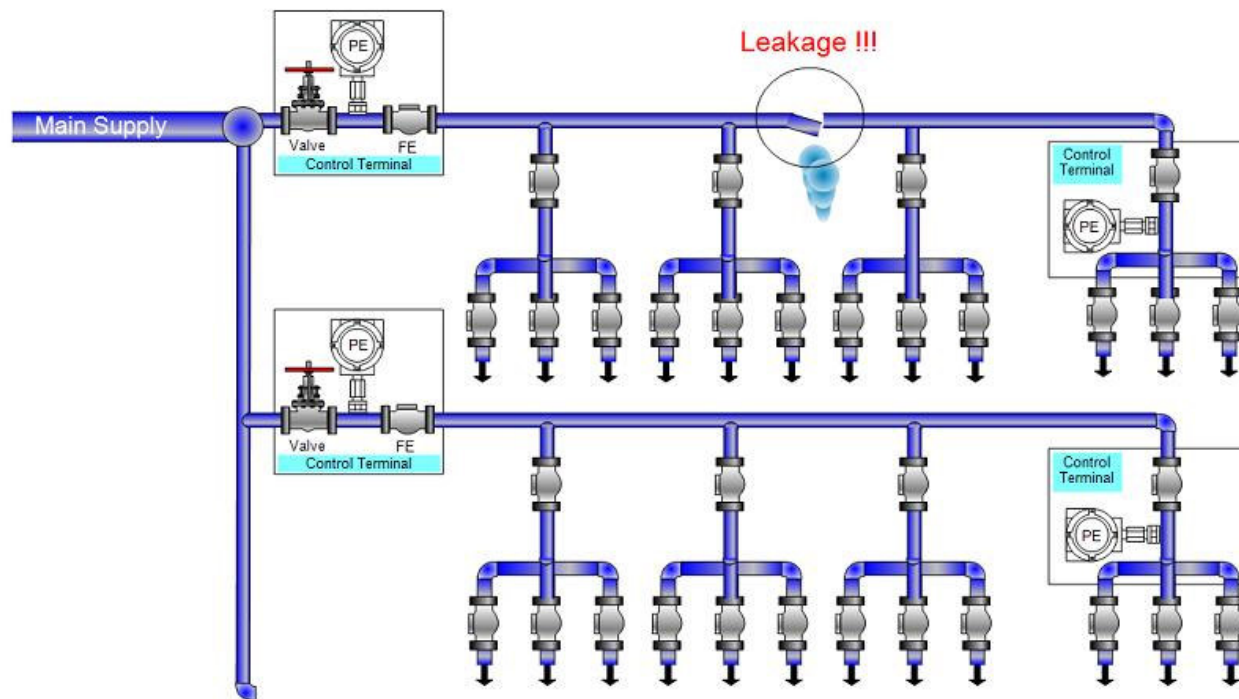
Jochen, operation manager of the energy company.





Real Time Remote Control and Monitoring

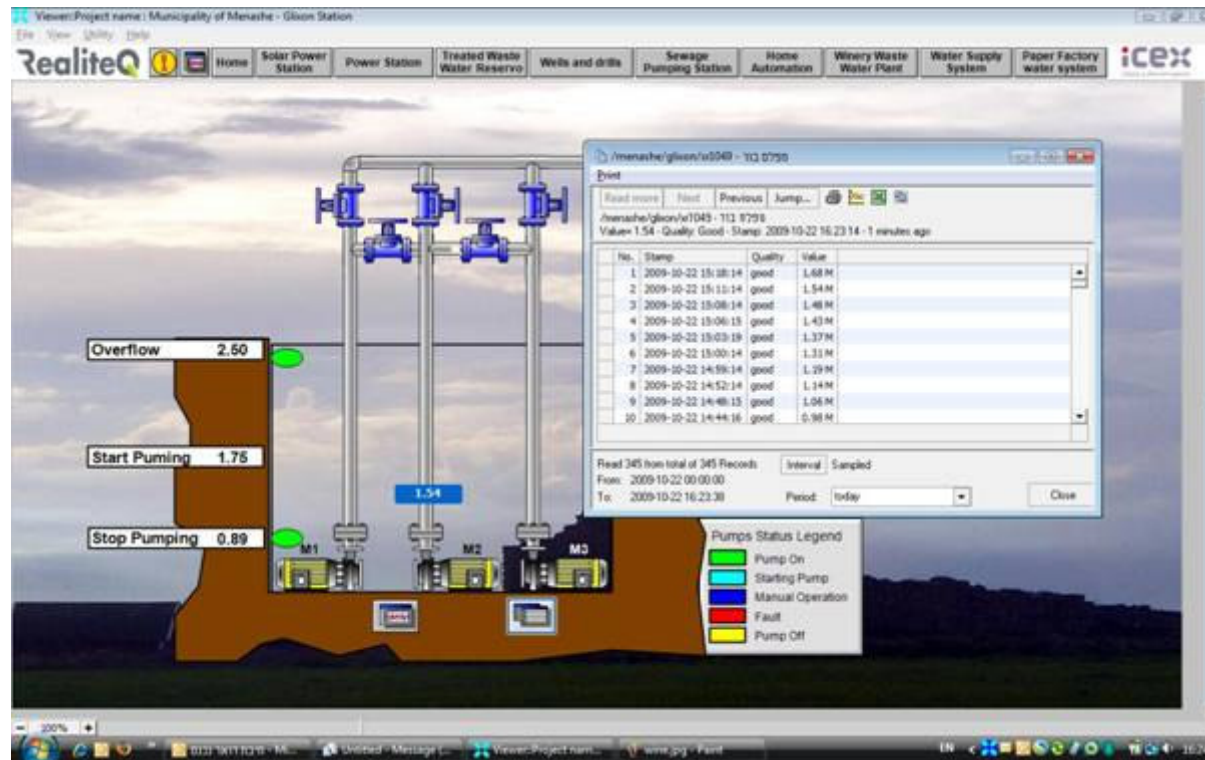
"When you purchase a system like this, security is very important. RealiteQ is the only solution that has all we need: the system supports SSL, needs no fix IP, careless about APN/VPN, works with a mixture of cellular and other operators and in addition has a ton of other security procedures that passed our strict security tests" Ben, IT manager of the utility company.





Real Time Remote Control and Monitoring

"People get really excited when they can see the graphic presentation of our wastewater system with all the parameters updating continuously" Joel, Deputy Mayor

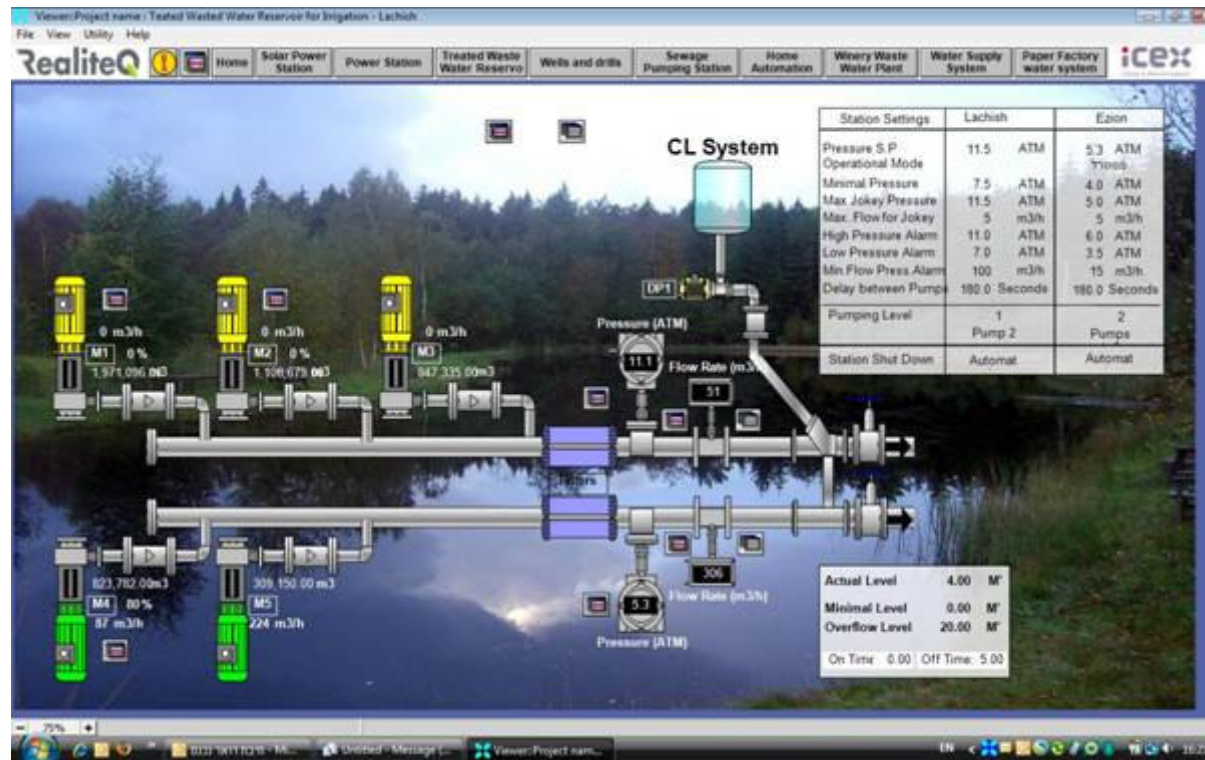




Real Time Remote Control and Monitoring

"I was the first to get a web-enabled smart phone in the entire district. Now I can operate most of the system's functions without even starting my laptop computer"

John, operator of drinking water reservoirs.





Real Time Remote Control and Monitoring

Global Control is our nature

Like the Albatross that enhances the power of wind and wave energy and so glides over natural energy sources, **RealiteQ** harnesses the power of Internet and cellular standard to offer unparalleled performance, scalability and ease of use.

